

**ICBEC24/B**

**FEATURES**

- Make all your favorite coffee drinks

---

- Uses whole-bean and pre-ground coffee

---

- Coffee made to size, from 1 oz. to 12 oz.

---

- Built-in burr grinder with 13 grind settings

---

- No plumbing needed

---

- Rigorously tested in our U.S. manufacturing facilities for decades of use

---

- Auto-descale reminders

---

- Five strength settings

---

- Hot water on demand

---

- Press Double Coffee button for two identical cups

---

- Removable milk carafe for freshness

**ACCESSORIES**

- Care Kit

---

- 726 mm trim kits to match Wolf M and E series ovens

Accessories available through an authorized Sub-Zero dealer.

For local dealer information, visit [www.szwasia.com](http://www.szwasia.com)



**30" TRIM OPTIONS**



E SERIES TRANSITIONAL



E SERIES PROFESSIONAL



M SERIES TRANSITIONAL



M SERIES PROFESSIONAL

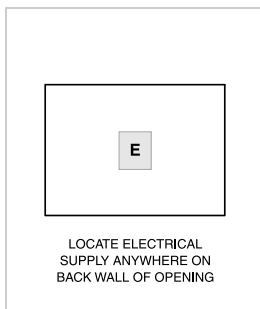


M AND E SERIES CONTEMPORARY

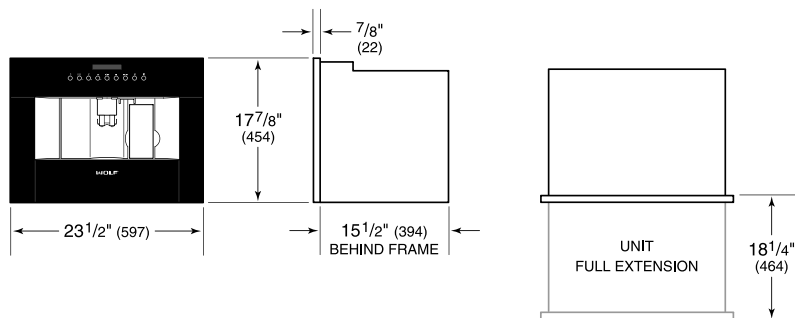
**PRODUCT SPECIFICATIONS**

Model	ICBEC24/B
Dimensions	597 mm W x 454 mm H x 394 mm D
Weight	80 lb
Electrical Supply	220-240 VAC, 50/60 Hz
Electrical Service	13 amp dedicated circuit
Power Cord Length	6 feet

**ELECTRICAL**



**DIMENSIONS**



**STANDARD INSTALLATION**

