

ICBSPO30TE/S/TH

**FEATURES**

---

Rigorously tested for decades of use

---

Exceptional support from our Customer Care team

---

Combines microwave, convection, and grill technologies to provide all-in-one oven versatility

---

Assures predictably delicious results with 10 microwave power levels, convenient quick-start modes, and an intuitive Gourmet mode

---

Provides more cooking power than a traditional microwave with the help of convection and grill

---

Fits a 33x23cm pan in the 46 L capacity, stainless-steel interior

---

Frees up counter space with efficient drop-down door design

---

Micro Bake and Micro Roast modes reduce or completely eliminate preheat times

---

Coordinates with other Wolf built-in ovens and appliances with various handle and trim options

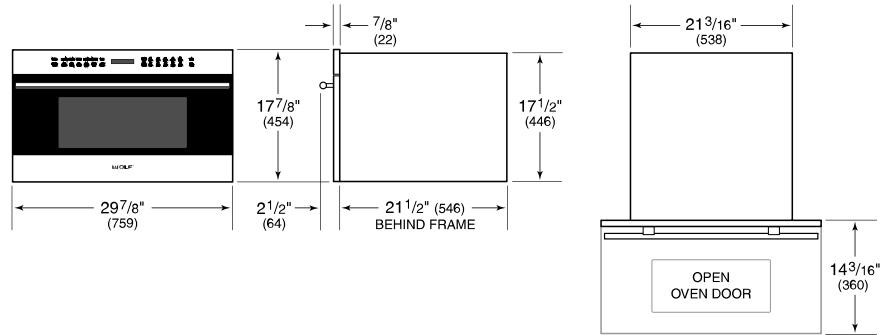


**PRODUCT-SPECIFICATIONS**

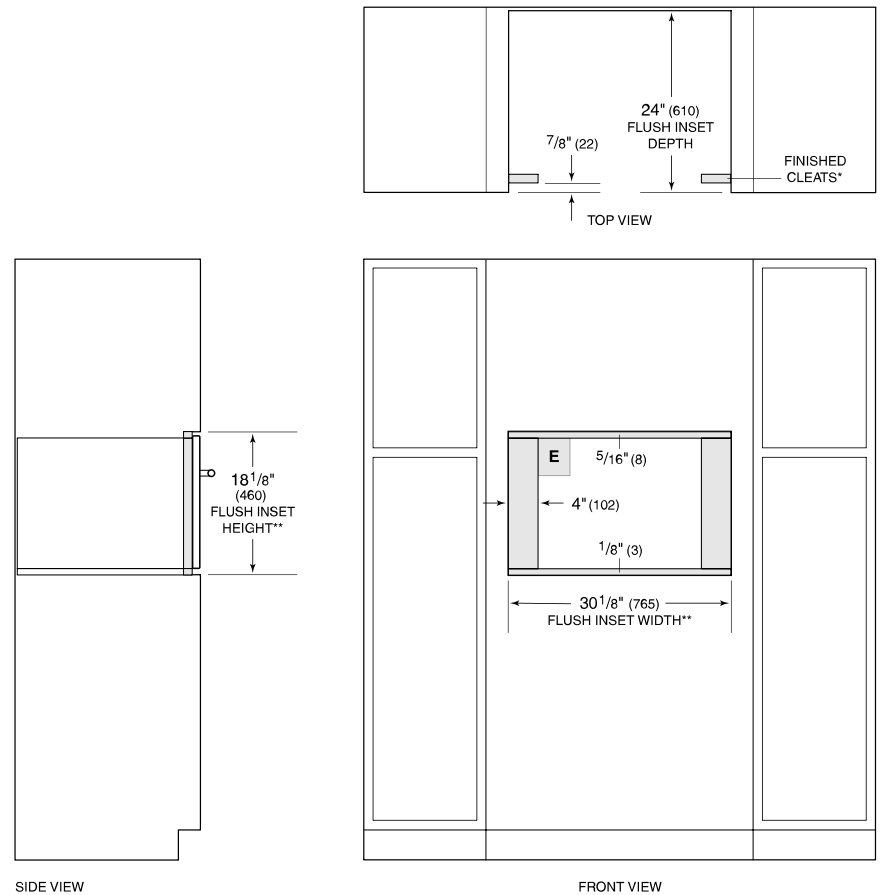
model	ICBSPO30TE/S/TH
dimensions	759mmW x 454mmH x 546mmD
Capacity	46 L
Door Clearance	360mm
weight	36 kg
power-cord-length	1.8 Meters
receptacle	grounding-type (earthed), IEC inlet

**NOTE:** Dimensions in parenthesis are in millimeters unless otherwise specified

**DIMENSIONS**



**FLUSH INSTALLATION**



\*Will be visible and should be finished to match cabinetry.  
 \*\*Dimension provides minimum reveals.