

ICBBI-36UFDID/S



FEATURES

- LED Lighting for brighter interior
- Dual refrigeration keeps food fresher longer
- Air purification system fights spoilage, odours
- Crispers and deli drawers in low-temp, high-humidity zones for optimum freshness
- Microprocessor control assures peak performance
- Freshness cards for maximum food preservation
- Discreet interior water dispense with advanced filtration
- Rigorously tested in our U.S. manufacturing facilities to ensure decades of use
- Exceptional support from Customer Care team
- Over-and-under refrigerator/freezer storage
- Magnetic door seal system locks in cold air
- Automatic ice maker with "max ice" feature
- Adjustable shelves for maximum convenience

ACCESSORIES

- Grilles for 2108 mm or 2235 mm finished height (2134 mm is standard)
- Side panel mounting kit

Accessories are available through an authorized Sub-Zero dealer. For local dealer information, visit www.szwasia.com



HANDLE OPTIONS

PRO



TUBULAR



PRODUCT DETAILS

REFRIGERATOR

- 3 Adjustable glass shelves
- 1 Stationary glass shelf
- 1 High-humidity drawer with dividers
- 1 Storage drawer with dividers
- 4 Adjustable door shelves
- 2 Stationary door shelves
- 2 Adjustable dairy compartments

FREEZER

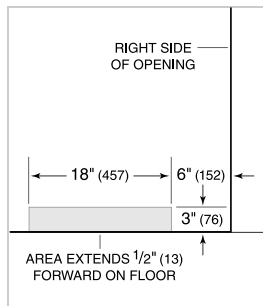
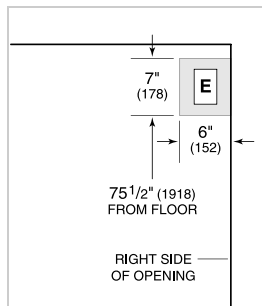
- Full-extension roll-out freezer drawer
- Two-tier wire storage baskets
- Automatic ice maker

PRODUCT SPECIFICATIONS

Model	ICBBI-36UFDID/S
Dimensions	914mmW x 2134mmH x 610mmD
Door Clearance	496mm
Drawer Clearance	600mm
Weight	240 kg
Refrigerator Gross Capacity	486 L
Freezer Gross Capacity	162 L
Electrical Supply	220-240 VAC; 50/60 Hz
Electrical Service	≤ 4 A
Receptacle	3-prong grounding-type

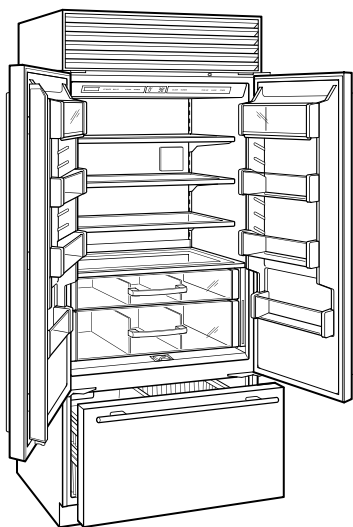
ELECTRICAL

PLUMBING



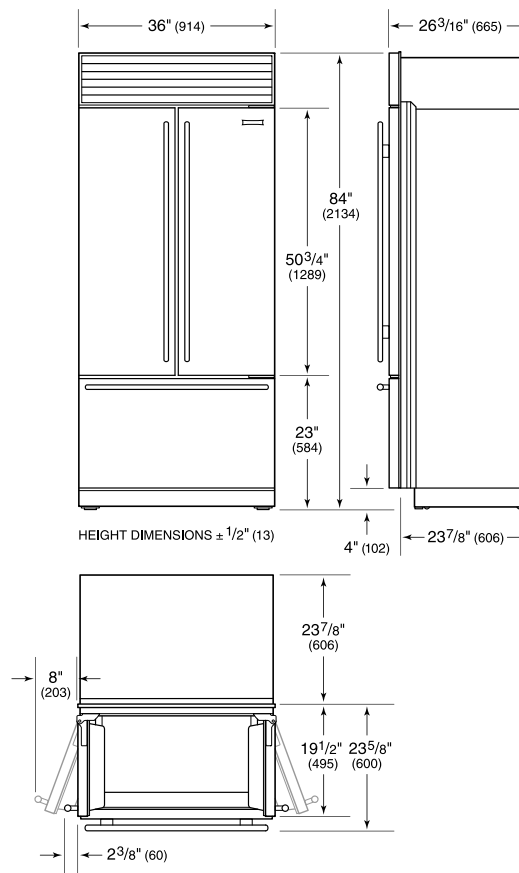
NOTE: Dimensions in parenthesis are in millimeters unless otherwise specified

INTERIOR VIEW

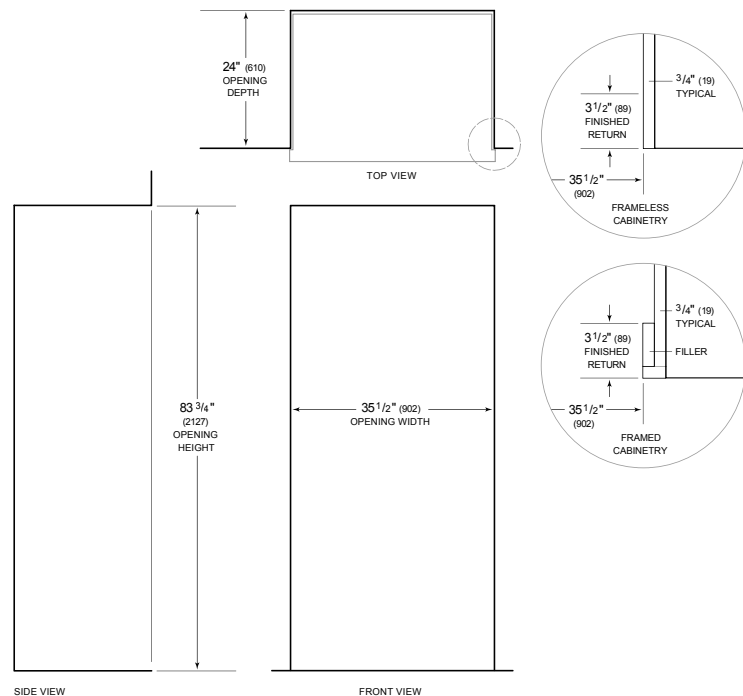


This illustration is intended for interior reference only and may not represent the exterior of the model being specified.

DIMENSIONS



STANDARD INSTALLATION



NOTE: 3 1/2" (89) finished returns will be visible and should be finished to match cabinetry. Shaded line represents profile of unit.

GUIDE ONLY.

THESE SPECIFICATIONS ARE A GUIDE ONLY. Not suitable for cabinetry, installation or services location.

SUB-ZERO AND WOLF OFFER A CUSTOMISED DESIGN CHECK SERVICE to ensure your new appliances are installed perfectly. Please contact our Customer Care team for further information regarding our Design Check Service, or for detailed product specification and installation advice.

Phone: 03 9600 2218 Email: customer-care@szw-sea.com

Sub-Zero and Wolf Design Guides are also available via our website: www.szwasia.com